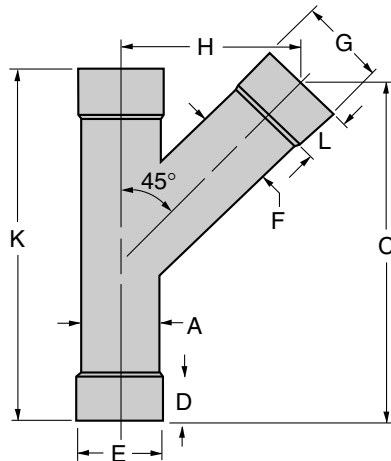


Morris Vacuum Products

Standard 45° Y's



Part No.	Size	A-o.d.	Gauge	C	D	E-i.d.	F-o.d.	Gauge	G-i.d.	H	K	L
MSY-2121	2 1/8"	2 1/8"	16	9 3/32"	1 1/4"	2 1/8"	2 1/8"	16	2 1/8"	4 11/16"	9 1/2"	1 1/4"
MSY-2521	2 1/2" x 2 1/8"	2 1/2"	16	9 9/32"	1 1/4"	2 1/2"	2 1/8"	16	2 1/8"	4 7/8"	10"	1 1/4"
MSY-2525	2 1/2"	2 1/2"	16	10 5/32"	1 1/4"	2 1/2"	2 1/2"	16	2 1/2"	5 3/16"	10"	1 1/4"
MSY-3021	3" x 2 1/8"	3"	16	9 17/32"	1 1/4"	3"	2 1/8"	16	2 1/8"	5 1/8"	10 1/2"	1 1/4"
MSY-3025	3" x 2 1/2"	3"	16	10 13/32"	1 1/4"	3"	2 1/2"	16	2 1/2"	5 7/16"	10 1/2"	1 1/4"
MSY-3030	3"	3"	16	11 19/32"	1 1/4"	3"	3"	16	3"	5 29/32"	11 1/2"	1 1/4"
MSY-3521	3 1/2" x 2 1/8"	3 1/2"	16	9 25/32"	1 1/4"	3 1/2"	2 1/8"	16	2 1/8"	5 3/8"	11"	1 1/4"
MSY-3525	3 1/2" x 2 1/2"	3 1/2"	16	10 21/32"	1 1/4"	3 1/2"	2 1/2"	16	2 1/2"	5 11/16"	11"	1 1/4"
MSY-3530	3 1/2" x 3"	3 1/2"	16	11 27/32"	1 1/4"	3 1/2"	3"	16	3"	6 5/32"	13"	1 1/4"
MSY-3535	3 1/2"	3 1/2"	16	12 31/32"	1 1/4"	3 1/2"	3 1/2"	16	3 1/2"	6 9/16"	13"	1 1/4"
MSY-4021	4" x 2 1/8"	4"	16	10 1/32"	1 1/4"	4"	2 1/8"	16	2 1/8"	5 5/8"	12"	1 1/4"
MSY-4025	4" x 2 1/2"	4"	16	10 29/32"	1 1/4"	4"	2 1/2"	16	2 1/2"	5 15/16"	12"	1 1/4"
MSY-4030	4" x 3"	4"	16	12 3/32"	1 1/4"	4"	3"	16	3"	6 13/32"	12"	1 1/4"
MSY-4035	4" x 3 1/2"	4"	16	13 7/32"	1 1/4"	4"	3 1/2"	16	3 1/2"	6 13/16"	14"	1 1/4"
MSY-4040	4"	4"	16	14 11/32"	1 1/4"	4"	4"	16	4"	7 1/4"	14"	1 1/4"
MSY-5021	5" x 2 1/8"	5"	14	10 17/32"	1 1/2"	5"	2 1/8"	16	2 1/8"	6 1/8"	13"	1 1/4"
MSY-5025	5" x 2 1/2"	5"	14	11 13/32"	1 1/2"	5"	2 1/2"	16	2 1/2"	6 7/16"	13"	1 1/4"
MSY-5030	5" x 3"	5"	14	12 19/32"	1 1/2"	5"	3"	16	3"	6 29/32"	15 1/2"	1 1/4"
MSY-5035	5" x 3 1/2"	5"	14	13 23/32"	1 1/2"	5"	3 1/2"	16	3 1/2"	7 5/16"	15 1/2"	1 1/4"
MSY-5040	5" x 4"	5"	14	14 27/32"	1 1/2"	5"	4"	16	4"	7 3/4"	15 1/2"	1 1/4"
MSY-5050	5"	5"	14	17 9/16"	1 1/2"	5"	5"	14	5"	9"	18 1/2"	1 1/2"
MSY-6021	6" x 2 1/8"	6"	14	11 1/32"	1 1/2"	6"	2 1/8"	16	2 1/8"	6 5/8"	15"	1 1/4"
MSY-6025	6" x 2 1/2"	6"	14	11 29/32"	1 1/2"	6"	2 1/2"	16	2 1/2"	6 15/16"	15"	1 1/4"
MSY-6030	6" x 3"	6"	14	13 3/32"	1 1/2"	6"	3"	16	3"	7 13/32"	15"	1 1/4"
MSY-6035	6" x 3 1/2"	6"	14	14 7/32"	1 1/2"	6"	3 1/2"	16	3 1/2"	7 13/16"	17"	1 1/4"
MSY-6040	6" x 4"	6"	14	15 11/32"	1 1/2"	6"	4"	16	4"	8 1/4"	17"	1 1/4"
MSY-6050	6" x 5"	6"	14	18 1/16"	1 1/2"	6"	5"	14	5"	9 1/2"	21"	1 1/2"
MSY-6060	6"	6"	14	20 25/32"	1 1/2"	6"	6"	14	6"	10 25/32"	21"	1 1/2"

WHEN ORDERING, SPECIFY TYPE OF MATERIAL:

Carbon Steel, Zinc Galv. Coated Steel, Stainless Steel, Aluminum

Bell or Straight Ends – 2 1/8" through 6". **Straight ends only** – 8" and up.

For Prices and Delivery

Call Toll Free: 1-800-426-1579

Toll-Free Fax: 1-800-545-1399

E-mail: sales@morriscoupling.com

internet: www.morriscoupling.com

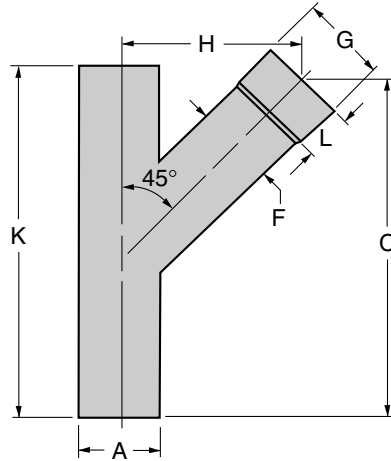
All dimensions are nominal.



2240 W. 15th St., Erie, PA 16505
Phone: 814-459-1741

Morris Vacuum Products

Standard 45° Y's *continued*



Part No.	Size	A-o.d.	Gauge	C	F-o.d.	Gauge	G-i.d.	H	K	L
MSY-8021	8" x 2 1/8"	8"	14	12 1/32"	2 1/8"	16	2 1/8"	7 5/8"	18"	1 1/4"
MSY-8025	8" x 2 1/2"	8"	14	12 29/32"	2 1/2"	16	2 1/2"	7 15/16"	18"	1 1/4"
MSY-8030	8" x 3"	8"	14	14 3/32"	3"	16	3"	8 13/32"	18"	1 1/4"
MSY-8035	8" x 3 1/2"	8"	14	15 7/32"	3 1/2"	16	3 1/2"	8 13/16"	21"	1 1/4"
MSY-8040	8" x 4"	8"	14	16 11/32"	4"	16	4"	9 1/4"	21"	1 1/4"
MSY-8050	8" x 5"	8"	14	19 1/16"	5"	14	5"	10 1/2"	24"	1 1/2"
MSY-8060	8" x 6"	8"	14	21 25/32"	6"	14	6"	11 25/32"	24"	1 1/2"
MSY-8080	8"	8"	14	27"	8"	14	—	14 5/32"	29"	—

MSY-9021	10" x 2 1/8"	10"	†	13 1/32"	2 1/8"	16	2 1/8"	8 5/8"	21"	1 1/4"
MSY-9025	10" x 2 1/2"	10"	†	13 29/32"	2 1/2"	16	2 1/2"	8 15/16"	21"	1 1/4"
MSY-9030	10" x 3"	10"	†	15 3/32"	3"	16	3"	9 13/32"	21"	1 1/4"
MSY-9035	10" x 3 1/2"	10"	†	16 7/32"	3 1/2"	16	3 1/2"	9 13/16"	24"	1 1/4"
MSY-9040	10" x 4"	10"	†	17 11/32"	4"	16	4"	10 1/4"	24"	1 1/4"
MSY-9050	10" x 5"	10"	†	20 1/16"	5"	14	5"	11 1/2"	24"	1 1/2"
MSY-9060	10" x 6"	10"	†	22 3/4"	6"	14	6"	12 25/32"	28"	1 1/2"
MSY-9080	10" x 8"	10"	†	28"	8"	14	—	15 5/32"	32"	—
MSY-9090	10"	10"	†	34 11/16"	10"	12	—	18 5/8"	36"	—

MSY-9221	12" x 2 1/8"	12"	†	14 1/32"	2 1/8"	16	2 1/8"	9 5/8"	24"	1 1/4"
MSY-9225	12" x 2 1/2"	12"	†	14 29/32"	2 1/2"	16	2 1/2"	9 31/32"	24"	1 1/4"
MSY-9230	12" x 3"	12"	†	16 3/32"	3"	16	3"	10 13/32"	24"	1 1/4"
MSY-9235	12" x 3 1/2"	12"	†	17 7/32"	3 1/2"	16	3 1/2"	10 13/16"	27"	1 1/4"
MSY-9240	12" x 4"	12"	†	18 11/32"	4"	16	4"	11 1/4"	27"	1 1/4"
MSY-9250	12" x 5"	12"	†	21 1/16"	5"	14	5"	12 1/2"	27"	1 1/2"
MSY-9260	12" x 6"	12"	†	23 3/4"	6"	14	6"	13 25/32"	31"	1 1/2"
MSY-9280	12" x 8"	12"	†	29"	8"	14	—	16 5/32"	35"	—
MSY-9290	12" x 10"	12"	†	35 11/16"	10"	12	—	19 5/8"	39"	—
MSY-9292	12"	12"	†	40 3/4"	12"	12	—	21 27/32"	43"	—

WHEN ORDERING, SPECIFY TYPE OF MATERIAL:

Carbon Steel, Zinc Galv. Coated Steel, Stainless Steel, Aluminum

Bell or Straight Ends – 2 1/8" through 6". **Straight ends only** – 8" and up.

† Consult factory

For Prices and Delivery

Call Toll Free: 1-800-426-1579

Toll-Free Fax: 1-800-545-1399

E-mail: sales@morriscoupling.com

internet: www.morriscoupling.com

All dimensions are nominal.



2240 W. 15th St., Erie, PA 16505
Phone: 814-459-1741